

**General Data**

**Change Nr, Title** 20005482, HOUSING IMPROVEMENT  
**Date of issue** 01.07.2021

**Category of change**

- Materials
- Method
- Manufacturing place
- Machine
- Form
- Fit
- Function

**Affected products**

FN3287, FN3288

**Description of change**

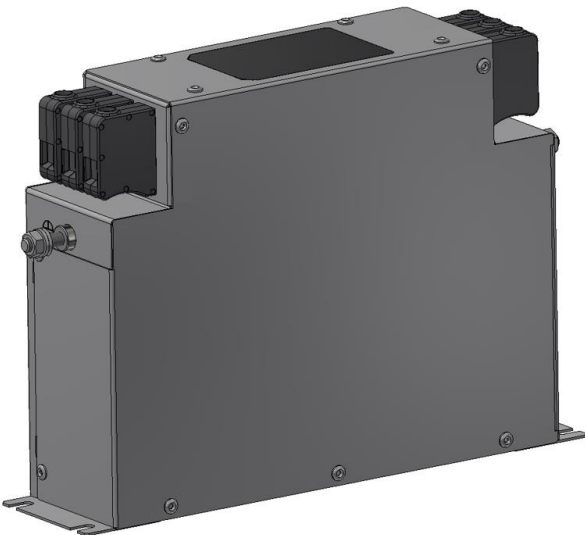
To add two more rivets for a better fixation between both sheet metal parts.

**Reason for change**

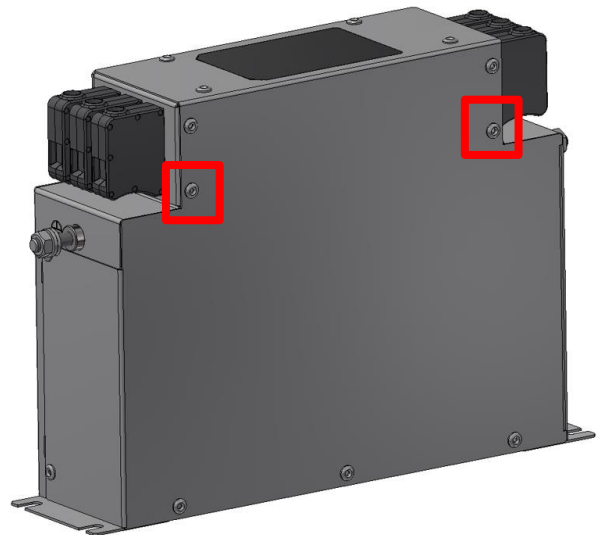
To increase stability of housing.

**Impact for the customer**

No impact on specifications nor performance.

**Identification**

example housing before change



example housing after change

**Estimated Schedule**

Change will be implemented immediately. Dependent on depletion of current inventory of material, customer may continue to receive current material.

---

**Customer enquiries**

You may address any technical enquiries regarding this PCN by sending an E-Mail to [pcn@schaffner.com](mailto:pcn@schaffner.com). Please refer to the "Change number" on page 1 for faster response.

---

**Quality assurance measures**

Application of ISO9001:2015 and exceeding Schaffner standards for outstanding quality in all involved design centers and manufacturing locations.

---

Date of announcement

01.07.2021

**Schaffner Group**  
Nordstrasse 11e  
CH-4542 Luterbach  
[www.schaffner.com](http://www.schaffner.com)

**Appendix**

List of affected products

Schaffner Mat. Nr.	Schaffner Description	Customer Mat. Nr.
820849	FN3287-50-53-C21-R65	
820850	FN3287-63-53-C21-R65	
820852	FN3287-100-35-C21-R65	
820853	FN3287-125-35-C21-R65	
820826	FN3288-50-53-C17-R65	
820838	FN3288-50-53-C21-R65	
820827	FN3288-63-53-C17-R65	
820839	FN3288-63-53-C21-R65	
820829	FN3288-100-35-C17-R65	
820841	FN3288-100-35-C21-R65	
820831	FN3288-125-35-C17-R65	
820842	FN3288-125-35-C21-R65	

The listed material numbers are being modified. Related materials that are not explicitly listed on this PCN are not being modified nor discontinued as per the PCN. All mentioned dates apply only to materials explicitly listed on this PCN.